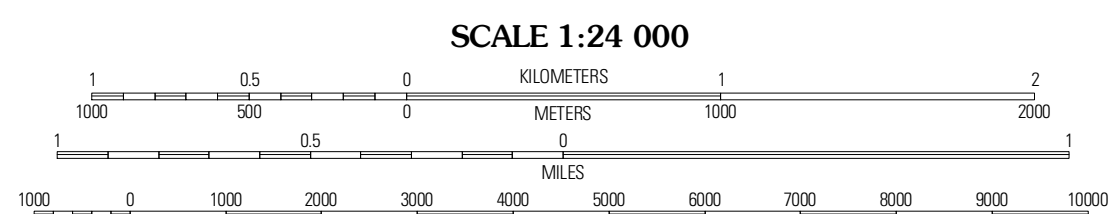
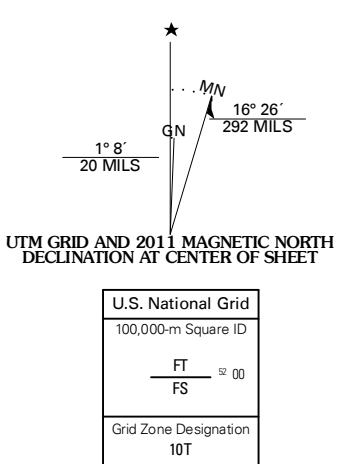


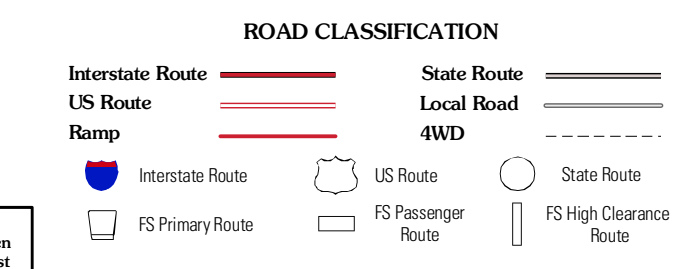
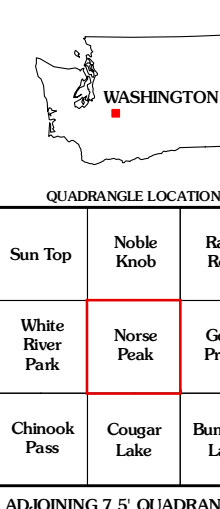
Produced by the United States Geological Survey
North American Datum of 1983 (NAD83)
World Geodetic System of 1984 (WGS84). Projection and
1 000-meter grid: Universal Transverse Mercator, Zone 10T
10 000-foot ticks: Washington Coordinate System of 1983
(south zone)

Imagery.....NAP, July 2009
Roads.....2006-2010 Tele Atlas
Roads within US Forest Service Lands.....FS Topo Data
with limited Forest Service updates, 2009
Names.....GNIS, 2009
Hydrography.....National Hydrography Dataset, 2009
Contours.....National Elevation Dataset, 1999



CONTOUR INTERVAL 40 FEET
NORTH AMERICAN VERTICAL DATUM OF 1988

This map was produced to conform with version 0.5.10 of the
draft USGS Standards for 7.5-Minute Quadrangle Maps.
A metadata file associated with this product is draft version 0.5.13



NORSE PEAK, WA
2011

QUADRANGLE LOCATION

Sun Top	Noble Knob	Raven Roost
White River Park	Norse Peak	Goose Prairie
Chinook Pass	Cougar Lake	Bumping Lake

ADJOINING 7.5 QUADRANGLES